

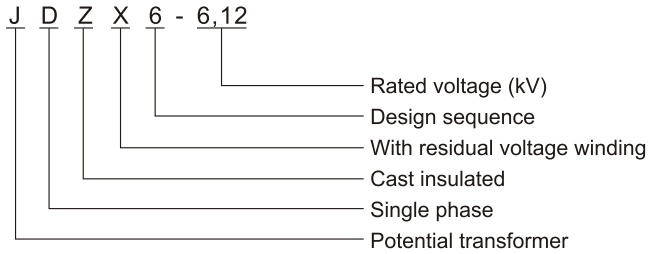
## JDZX6-6/12 Voltage Transformer

### Summary

The potential transformers of the type JDZX6-6,12 are single-phase and casting resin insulated products. There are used for metering electric energy, voltage control and relay protection in the electric non-useful-ground neutral system up to 50Hz, 6,12kV. The transformers can be executed according to the standards IEC60044-2 and GB1207-2006.



### Model



### Ambient condition

1. Altitude:  $\leq 1000\text{m}$ ;
2. Ambient temperature:  $-5^{\circ}\text{C}\sim+40^{\circ}\text{C}$ ;
3. Relative humidity:  $\leq 85\%$ ;
4. This product has passed the direct vibration test with the intensity of 0.4g three sine waves. Equivalent to nine-degree earth quake on the richter scale.
5. This product can be used his condition of pollution.

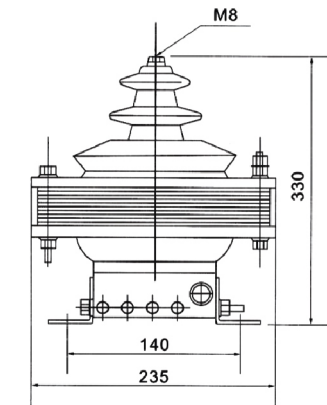
### Structure feature

This potential transformer is semi-enclosed type. The outside of the partly enclosed iron core is supported on the base.

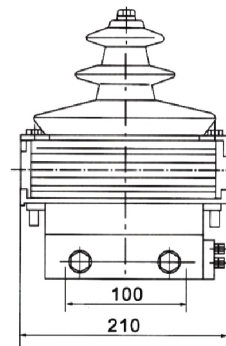
### Technical specification

Type	Rated voltage ratio(V)	Rated output(VA)			Limit output(VA)	Insulation level(kV)
		class 0.2	class 0.5	class 6P		
JDZXF6-6GYW1	$6000/\sqrt{3}/100/\sqrt{3}/100/\sqrt{3}/100/3$	20	30	50	400	7.2/32/60
JDZXF6-12GYW1	$11000/\sqrt{3}/110/\sqrt{3}/110/\sqrt{3}/110/3$					12/42/75

### Outline dimension



JDZXF6-12GYW1 (12kV)



JDZXF6-6GYW1 (6kV)